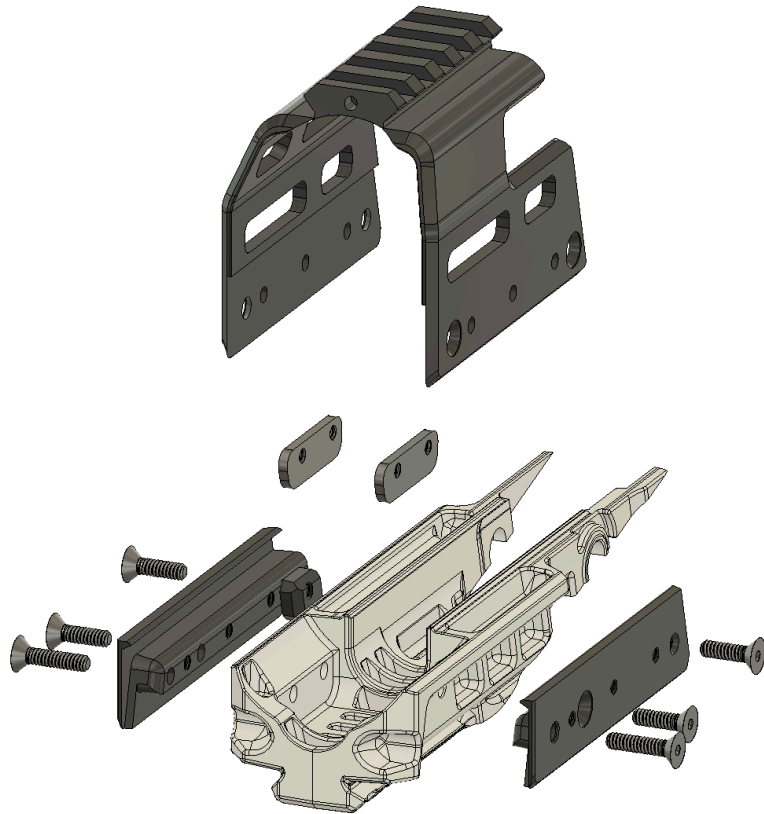
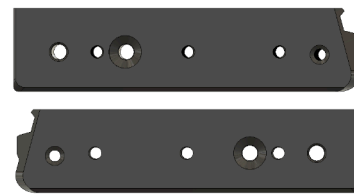
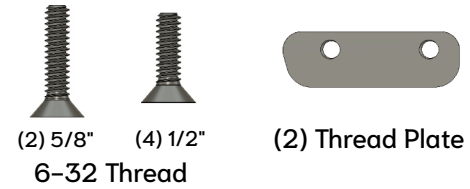


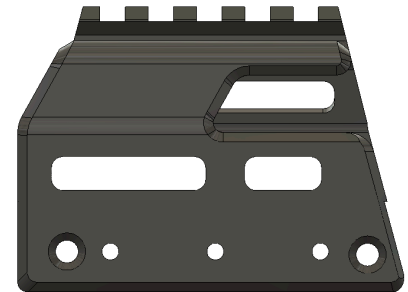
# FORWARD HALO ACCESSORY RAIL INSTALLATION GUIDE



**EXPLODED VIEW**

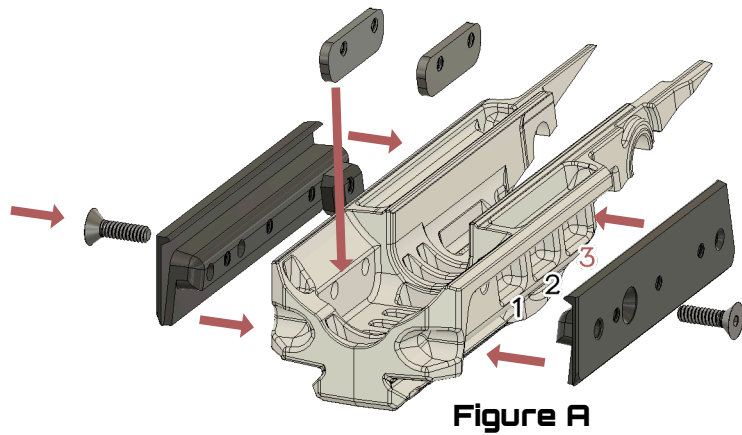


(1) LEFT & (1) RIGHT  
MOUNTING PLATES

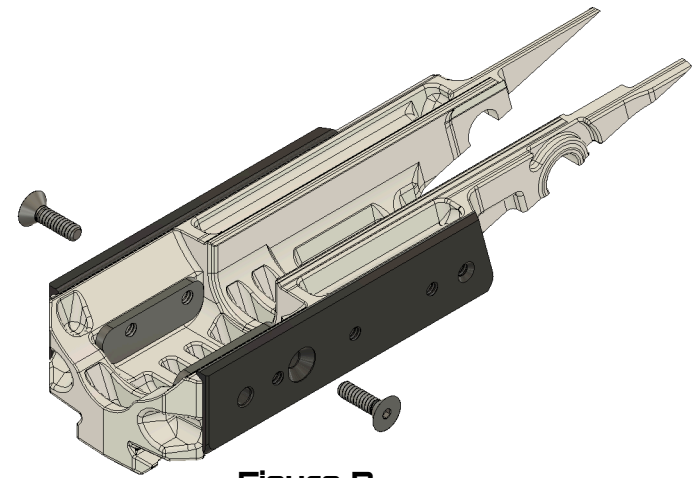


(1) FORWARD HALO

## **PARTS LIST**



**Figure A**



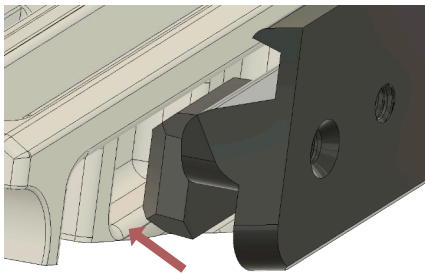
**Figure B**

## STEP 1:

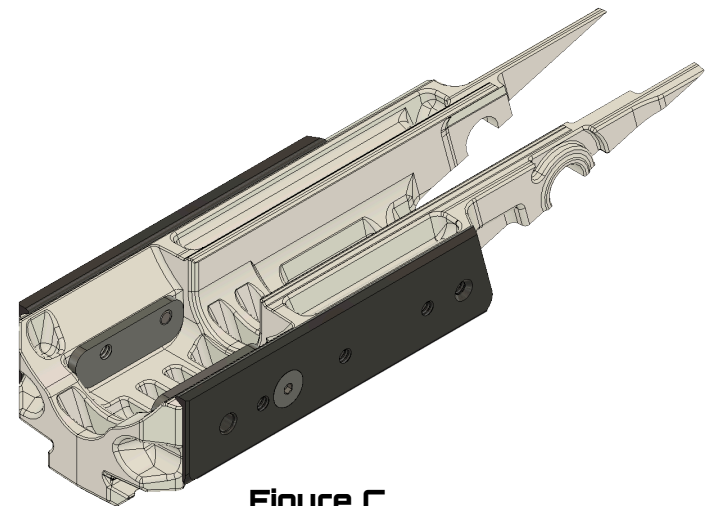
Line up and press left/right **mounting plate** into front of Raider frame, lining up the **3rd** indent from the muzzle end of the chassis with the securing nodule on the back of the **mounting plates** (*Detail A*)

Locate **Thread Plate** on internal side of raider with smaller space above the holes.

(*Figure B*) Using (1) **1/2"** bolt for each side add blue/red thread locker to bolt and place in the only counter sunk hole, then thru the raider chassis and into the **thread plate**, tightening down to **15 in-lb** (this bolt can always stay-in even when removing the hood for servicing)



**Detail A**



**Figure C**

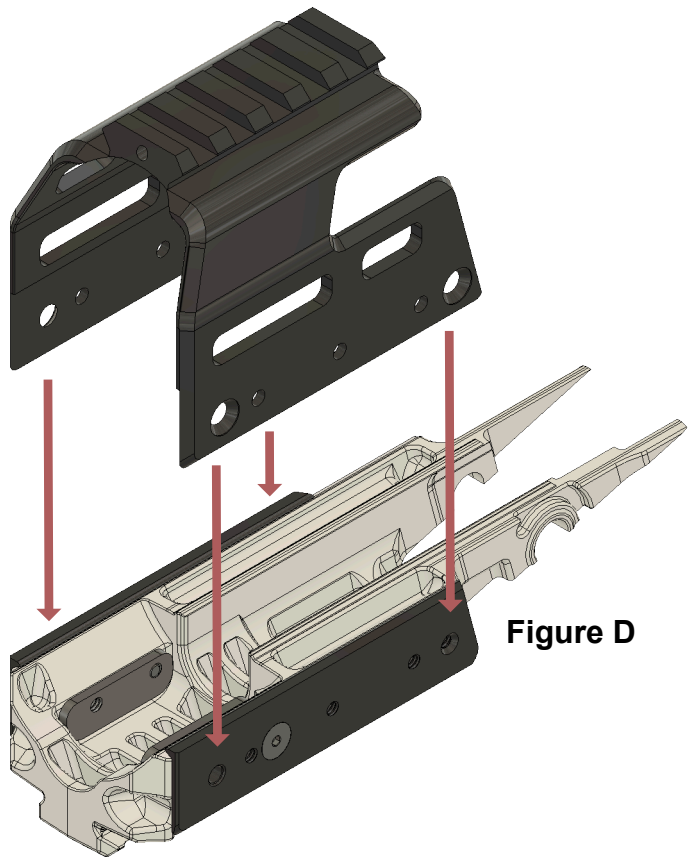


Figure D

## STEP 2:

Note: If pistol slide was removed reinstall now.

Locate Halo Accessory Rail and align front and back bolt hole with hole on Mounting Plate (Figure D)

(Figure E) Using blue thread locker tighten down front 5/8" bolt at 15 in-lb thru the front hole and into the Thread Plate and 1/2" Bolt thru the back hole of the Halo and into the Mounting Plate.

Mount Accessories. Enjoy!

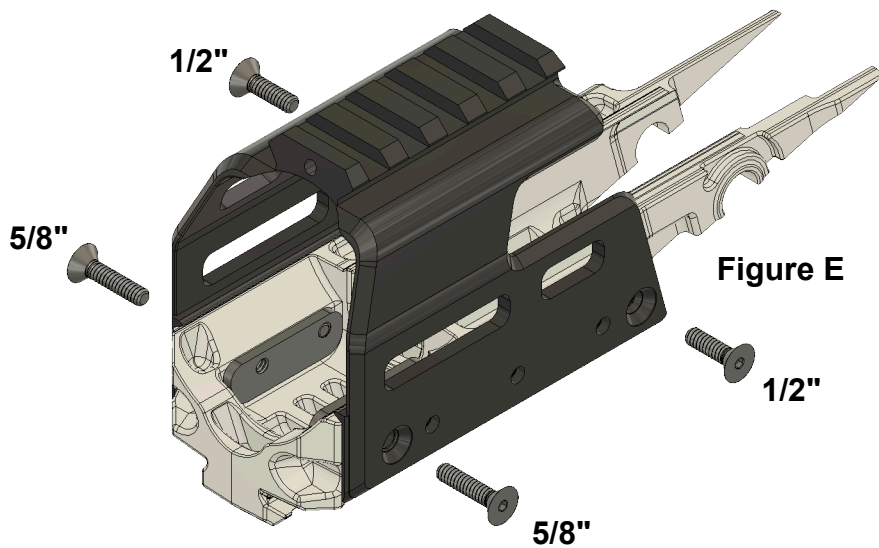


Figure E

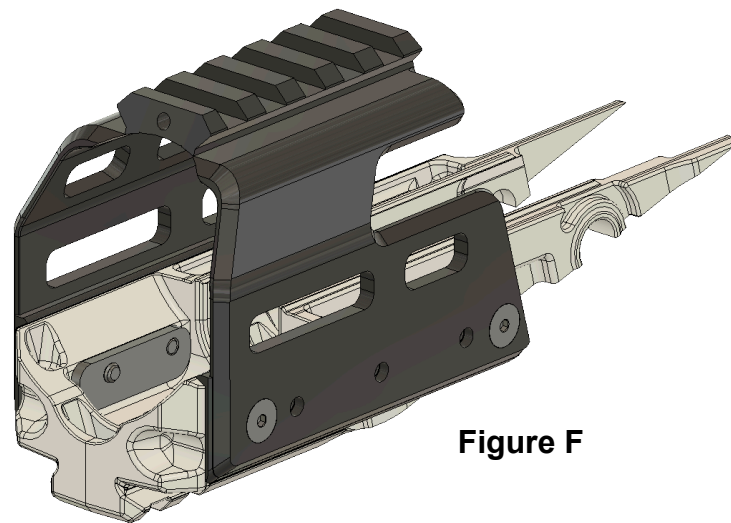


Figure F